

MDC720 Display Console

- Easy-to-read filtered LED display with adjustable brightness settings, providing a wide viewing angle in a variety of ambient lighting conditions
- Features both mill and lathe function on the same console, offering a standard format console within the workshop
- Housed in a robust die-cast housing, with a number of mounting arm options. A dedicated panel mount version is also available
- An ideal replacement or upgrade of existing DRO equipment with adaptor cables available to suit most brands

> MDC720 Display Consoles



	DRO-MDC720-2X	DRO-MDC720-3X	DRO-MDC720-3XP
Display Type	LED		
Case Material	Die Cast Aluminium		Aluminium
Mounting Type	External Mounting Arm		Panel
Number of Axis	2	3	3
Encoder Sign	5 Volt TTL Quadrature		
Encoder Type	Linear and Rotary (Angle)		
Input Voltage	100 ~240V AC		5v*

* External PSU included





MDC720 Display Consoles

MDC720 Functions

Basic Functions	
	Inch/mm conversion
	Zero required axis or select axis and enter an offset value
	Calculator with the option to transfer results to axis display
	Absolute and Incremental zero. ABS main work piece datum, INC will be relative to last position
	199 Zero datum coordinates can be stored and recalled during batch or repeat operations
	Locate the centre of a work piece

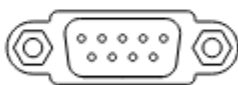
Mill Functions	
	Oblique line of holes, user define length and angle
	Pitch circle diameter (PCD)
	Simple arc
	Bevel function

Lathe Functions	
	Radius mode displays physical travel of cutting tool and diameter with display workpiece diameter
	Measure a taper angle using a DTI or dial gauge to reference two points and the console will calculate recalled angle
	Tool offset library allows 200 tools to be stored and recalled during batch or repeat operations
	Axis summing, toggle between independent or combined carriage and compound travel*

*3 axis model only

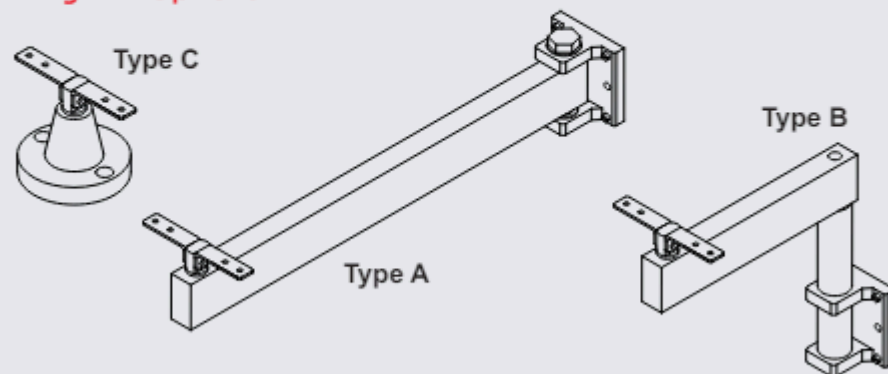
MDC720 Encoder Input

9 way D type encoder connections
Resolution options: 0.1µm, 0.25µm, 0.5µm, 1µm, 2.5µm, 5µm, 10µm, 25µm, 50µm and 100µm



Pin 1	Pin 2	Pin 3	Pin 4	Pin 5	Pin 6	Pin 7	Pin 8	Pin 9
-	0v	-	Screen	-	A	+5v	B	Z

Mounting Arm Options



Dimensions



Panel cut out 250mm x 140mm